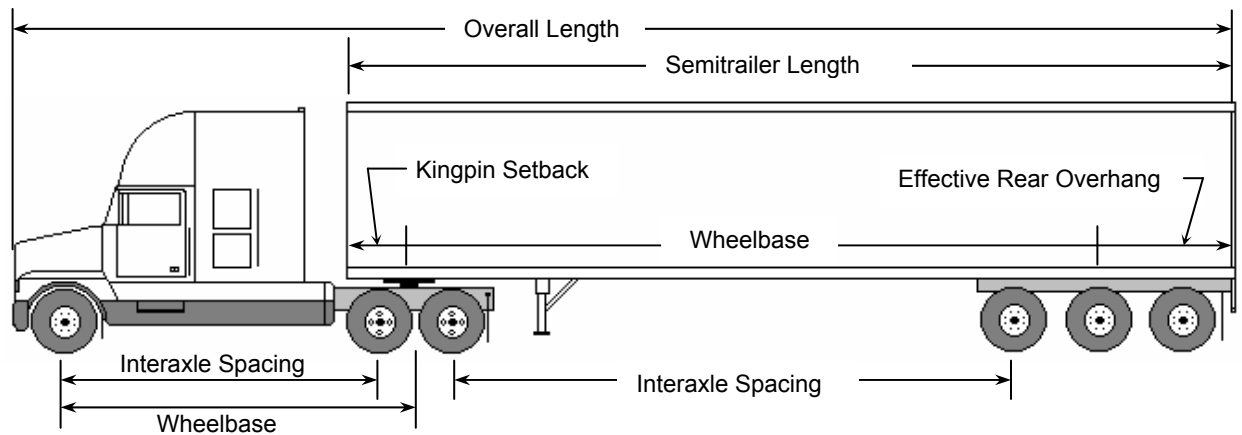


Schedule B

Summary of Vehicle Weights and Dimensions
Limits by Configuration

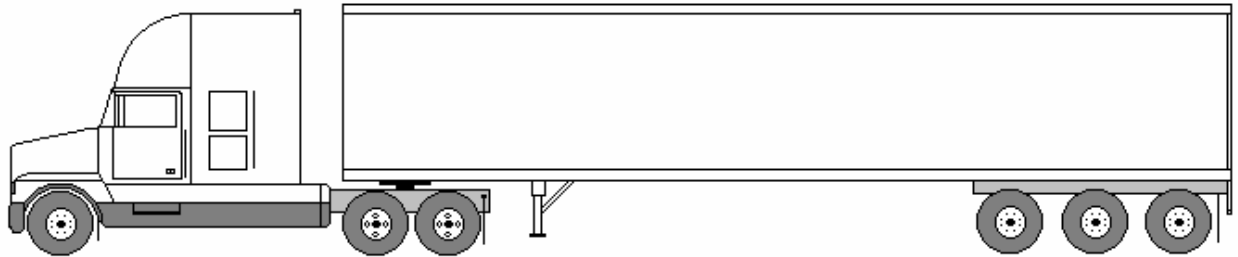
Category 1: Tractor Semitrailer
Part 1 - Dimension Limits



DIMENSION	LIMIT
Overall Length	Maximum 23 m
Overall Width	Maximum 2.6 m
Overall Height	Maximum 4.15 m
Tractor:	
Wheelbase	Maximum 6.2 m
Tandem Axle Spread	Minimum 1.2 m/Maximum 1.85 m
Semitrailer	
Length	Maximum 16.2 m
Wheelbase	Minimum 6.25 m/Maximum 12.5 m
Kingpin Setback	Maximum 2.0 m radius
Effective Rear Overhang	Maximum 35% of wheelbase
Tandem Axle Spread	Minimum 1.2 m/Maximum 1.85 m
Tridem Axle Spread	Minimum 2.4 m/Maximum 3.7 m
Track Width	Minimum 2.5 m/Maximum 2.6 m

DIMENSION	LIMIT
Interaxle Spacings	
Single Axle to Single, Tandem or Tridem Axle	Minimum 3.0 m
Tandem Axle to Tandem Axle	Minimum 5.0 m
Tandem Axle to Tridem Axle	Minimum 5.5 m

Category 1: Tractor Semitrailer
Part 2 - Weight Limits



Max 5500 kg*

Single Axle - Max 9100 kg
 Tandem Axle - Max 18 000 kg

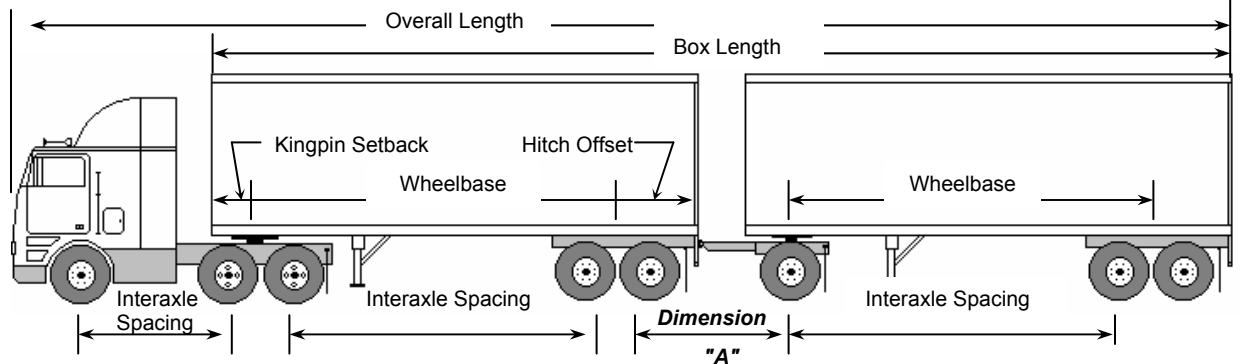
Single Axle - Max 9100 kg
 Tandem Axle - Max 18 000 kg
 Tridem Axle - Spread:
 2.4 m to < 3.0 m - Max 21 000 kg
 3.0 m to < 3.6 m - Max 24 000 kg
 3.6 m to 3.7 m - Max 26 000 kg

WEIGHT	LIMIT
Axle Weights:	
Steering Axle	Maximum 5500 kg*
Single Axle (dual tires)	Maximum 9100 kg
Tandem Axle:	
Axle Spread 1.2 m to 1.85 m	Maximum 18 000 kg
Tridem Axle:	
Axle Spread 2.4 m - less than 3.0 m	Maximum 21 000 kg
Axle Spread 3.0 m - less than 3.6 m	Maximum 24 000 kg
Axle Spread 3.6 m - 3.7 m	Maximum 26 000 kg
Gross Vehicle Weight Limits	
Three Axles	Maximum 23 700 kg
Four Axles	Maximum 32 600 kg
Five Axles	Maximum 41 500 kg
Six Axles - with 2.4 to < 3.0 m spread tridem	Maximum 44 500 kg
with 3.0 m to < 3.6 m spread tridem	Maximum 47 500 kg
with 3.6 to 3.7 m spread tridem	Maximum 49 500 kg

* The steering axle weight can be as high as 9100 kg provided the load carrying capacity of the axle, tires, and all other components is not exceeded, and the tire loading does not exceed 10 kg per mm of width. However, the Gross Vehicle Weight limit will be based on a steering axle weight of 5500 kg.

Category 2: A Train Double

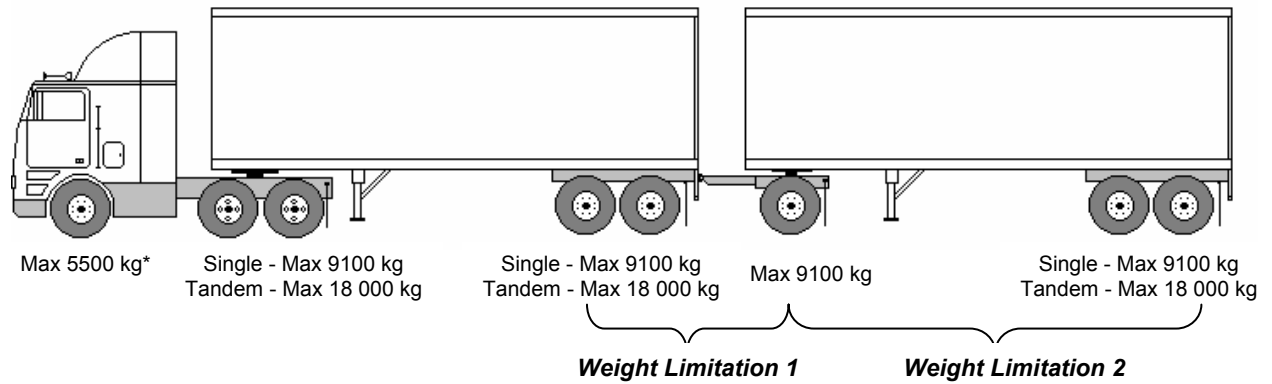
Part 1 - Dimension Limits



DIMENSION	LIMIT
Overall Length	Maximum 25 m
Overall Width	Maximum 2.6 m
Overall Height	Maximum 4.15 m
Box Length	Maximum 20 m
Tractor:	
Wheelbase	Maximum 6.2 m
Tandem Axle Spread	Minimum 1.2 m/Maximum 1.85 m
Lead Semitrailer	
Wheelbase	Minimum 6.25 m
Kingpin Setback	Maximum 2.0 m radius
Tandem Axle Spread	Minimum 1.2 m/Maximum 1.85 m
Hitch Offset	Maximum 1.8 m
Track Width	Minimum 2.5 m/Maximum 2.6 m
Second Semitrailer or Full Trailer	
Wheelbase	Minimum 6.25 m
Tandem Axle Spread	Minimum 1.2 m/Maximum 1.85 m
Track Width	Minimum 2.5 m/Maximum 2.6 m
Interaxle Spacings	
Single Axle to Single or Tandem Axle	Minimum 3.0 m
Tandem Axle to Tandem Axle	Minimum 5.0 m

DIMENSION	LIMIT
Dimension "A" (from the centre of last axle on the lead semitrailer to the centre of the first axle on the converter dolly or second trailer)	Not controlled

Category 2: A Train Double
Part 2 - Weight Limits

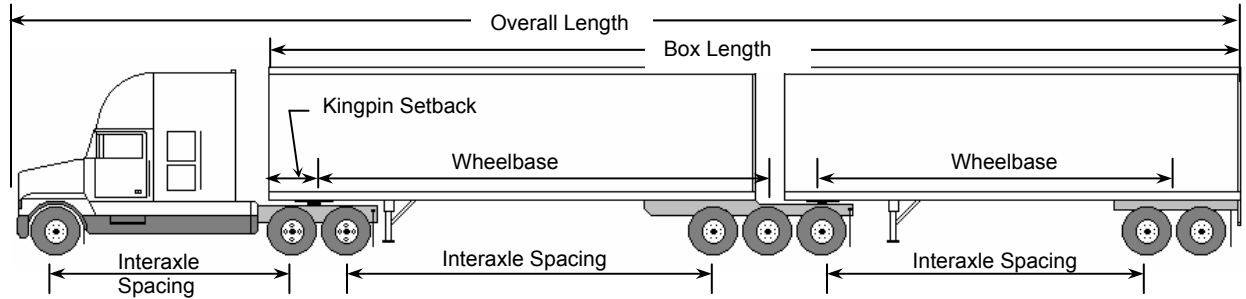


WEIGHT	LIMIT
Axle Weight Limits:	
Steering Axle	Maximum 5500 kg*
Single Axle (dual tires)	Maximum 9100 kg
Tandem Axle:	
Axle Spread 1.2 m to 1.85 m	Maximum 18 000 kg
Weight Limitation 1: Sum of Axle Weights of Lead Semitrailer Plus Weight of Converter Dolly Axle	If Dimension "A" is less than 3 metres, the weight of the axle(s) on the lead semitrailer plus the weight of the converter dolly axle(s) is limited to a maximum of 18,000 kg for a two axle group or a maximum of 24,000 kg for a three axle group.
Weight Limitation 2: Sum of Axle Weights of Full Trailer or Second Semitrailer	The weight of the second trailer must not exceed the weight of the tractor drive axle(s) plus the weight of the axle(s) on the first semitrailer.
Gross Vehicle Weight Limits:	
Five Axles	Maximum 41 900 kg
Six Axles	Maximum 50 800 kg
Seven Axles	Maximum 53 500 kg
Eight Axles	Maximum 53 500 kg

* The steering axle weight can be as high as 9100 kg provided the load carrying capacity of the axle, tires, and all other components is not exceeded, and the tire loading does not exceed 10 kg

per mm of width. However, the Gross Vehicle Weight limit will be based on a steering axle weight of 5500 kg.

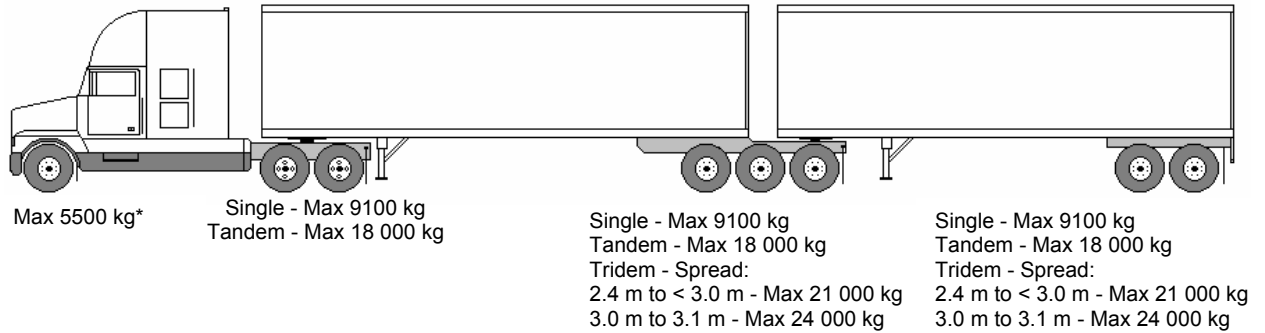
Category 3: B Train Double
Part 1 - Dimension Limits



DIMENSION	LIMIT
Overall Length	Maximum 25 m
Overall Width	Maximum 2.6 m
Overall Height	Maximum 4.15 m
Box Length	Maximum 20.0 m
Tractor:	
Wheelbase	Maximum 6.2 m
Tandem Axle Spread	Minimum 1.2 m/Maximum 1.85 m
Lead Semitrailer	
Wheelbase	Minimum 6.25 m
Kingpin Setback	Maximum 2.0 m radius
Tandem Axle Spread	Minimum 1.2 m/Maximum 1.85 m
Tridem Axle Spread	Minimum 2.4 m/Maximum 3.1 m
Track Width	Minimum 2.5 m/Maximum 2.6 m
Fifth Wheel Position	No more than 0.3 m behind the centre of the rearmost axle on the semitrailer
Second Semitrailer	
Wheelbase	Minimum 6.25 m
Tandem Axle Spread	Minimum 1.2 m/Maximum 1.85 m
Tridem Axle Spread	Minimum 2.4 m/Maximum 3.1 m
Track Width	Minimum 2.5 m/Maximum 2.6 m
Sum of Semitrailer Wheelbases	Maximum 17.0 m

DIMENSION	LIMIT
Interaxle Spacings	
Single Axle to Single or Tandem Axle	Minimum 3.0 m
Tandem Axle to Tandem Axle	Minimum 5.0 m
Tandem Axle to Tridem Axle	Minimum 5.5 m

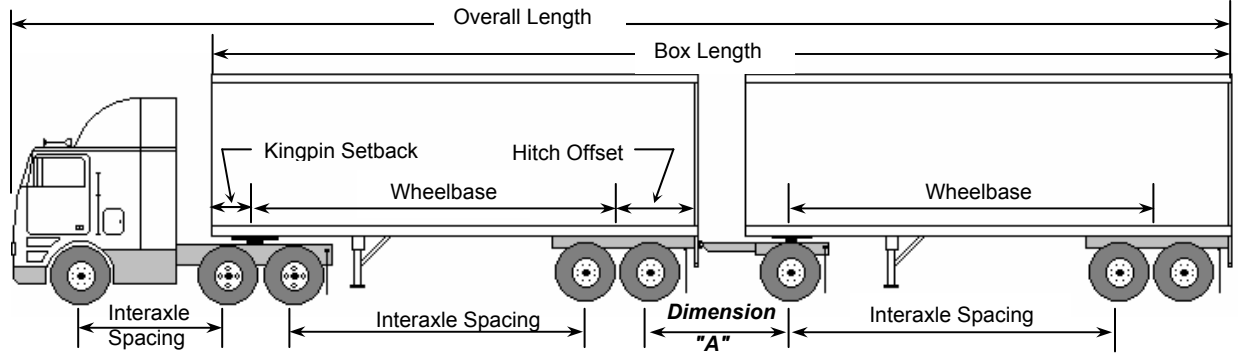
Category 3: B Train Double
Part 2 - Weight Limits



WEIGHT	LIMIT
Axle Weight Limits:	
Steering Axle	Maximum 5500 kg*
Single Axle (dual tires)	Maximum 9100 kg
Tandem Axle:	
Axle Spread 1.2 m to 1.85 m	Maximum 18 000 kg
Tridem Axle:	
Axle Spread 2.4 m to less than 3.0 m	Maximum 21 000 kg
Axle Spread 3.0 m to 3.1 m	Maximum 24 000 kg
Gross Vehicle Weight Limits:	
Six Axles	Maximum 50 600 kg
Seven Axles	Maximum 59 500 kg
Eight Axles	Maximum 62 500 kg
Nine Axles	Maximum 62 500 kg

* The steering axle weight can be as high as 9100 kg provided the load carrying capacity of the axle, tires, and all other components is not exceeded, and the tire loading does not exceed 10 kg per mm of width. However, the Gross Vehicle Weight limit will be based on a steering axle weight of 5500 kg.

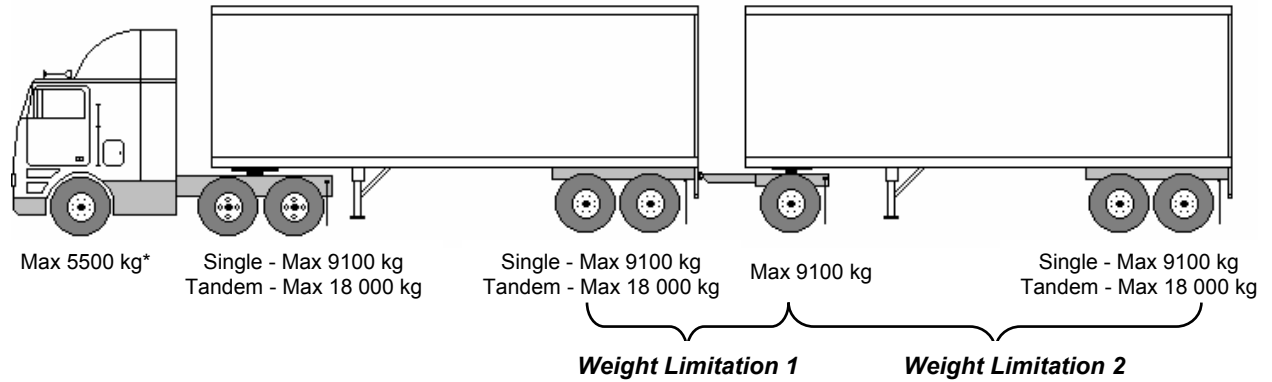
Category 4: C Train Double
Part 1 - Dimension Limits



DIMENSION	LIMIT
Overall Length	Maximum 25 m
Overall Width	Maximum 2.6 m
Overall Height	Maximum 4.15 m
Box Length	Maximum 20.0 m
Tractor:	
Wheelbase	Maximum 6.2 m
Tandem Axle Spread	Minimum 1.2 m/Maximum 1.85 m
Lead Semitrailer	
Wheelbase	Minimum 6.25 m
Kingpin Setback	Maximum 2.0 m radius
Tandem Axle Spread	Minimum 1.2 m/Maximum 1.85 m
Hitch Offset	Maximum 1.8 m
Track Width	Minimum 2.5 m/Maximum 2.6 m
Second Semitrailer or Full Trailer	
Wheelbase	Minimum 6.25 m
Tandem Axle Spread	Minimum 1.2 m/Maximum 1.85 m
Track Width	Minimum 2.5 m/Maximum 2.6 m
C Dolly Drawbar Length	
	Maximum 2.0 m
Interaxle Spacings	
Single Axle to Single or Tandem Axle	Minimum 3.0 m
Tandem Axle to Tandem Axle	Minimum 5.0 m

DIMENSION	LIMIT
Dimension "A" (from the centre of last axle on the lead semitrailer to centre of the first axle on the converter dolly or second trailer)	Not controlled

Category 4: C Train Double
Part 2 - Weight Limits

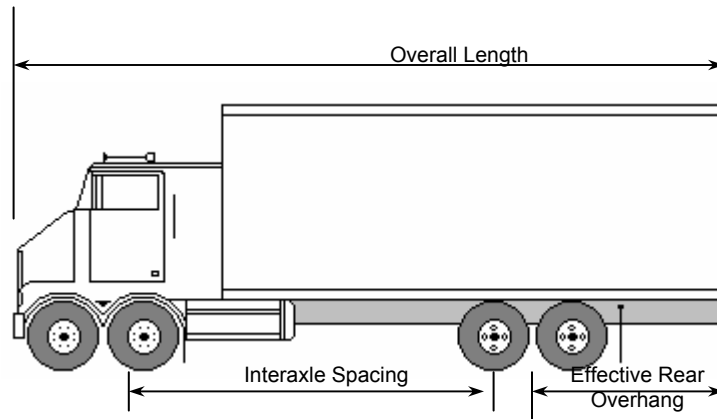
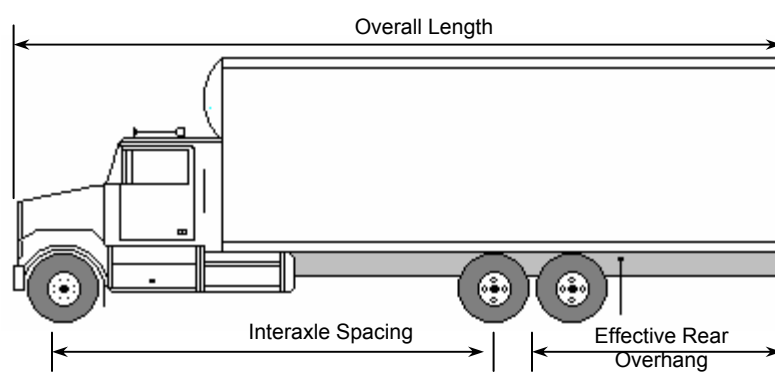


WEIGHT	LIMIT
Axle Weight Limits:	
Steering Axle	Maximum 5500 kg*
Single Axle (dual tires)	Maximum 9100 kg
Tandem Axle:	
Axle Spread 1.2 m to 1.85 m	Maximum 18 000 kg
Weight Limitation 1: Sum of Axle Weights of Lead Semitrailer Plus Weight of Converter Dolly Axle	If Dimension "A" is less than 3 metres, the weight of the axle(s) on the lead semitrailer plus the weight of the converter dolly axle(s) is limited to a maximum of 18,000 kg for a two axle group or a maximum of 24,000 kg for a three axle group.
Weight Limitation 2: Sum of Axle Weights of Full Trailer or Second Semitrailer	The weight of the second trailer must not exceed the weight of the tractor drive axle(s) plus the weight of the axle(s) on the first semitrailer.
Gross Vehicle Weight Limits:	
Five Axles	Maximum 41 900 kg
Six Axles	Maximum 50 800 kg
Seven Axles	Maximum 55 600 kg
Eight Axles	Maximum 58 500 kg

* The steering axle weight can be as high as 9100 kg provided the load carrying capacity of the axle, tires, and all other components is not exceeded, and the tire loading does not exceed 10 kg

per mm of width. However, the Gross Vehicle Weight limit will be based on a steering axle weight of 5500 kg.

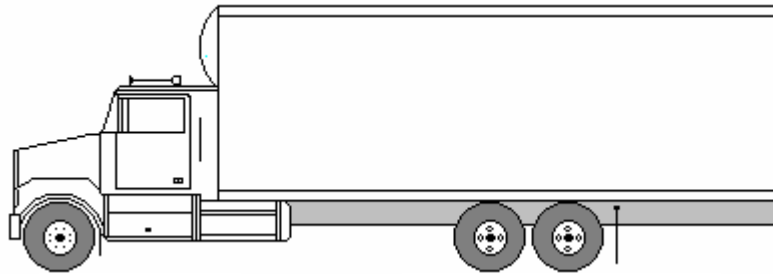
Category 5: Straight Truck
Part 1 - Dimension Limits



DIMENSION	LIMIT
Overall Length	Maximum 12.5 m
Overall Width	Maximum 2.6 m
Overall Height	Maximum 4.15 m
Box Length	Not Controlled
Wheelbase	Not controlled
Tandem Axle Spread	Minimum 1.2 m/Maximum 1.85 m
Effective Rear Overhang	Maximum 4.0 m

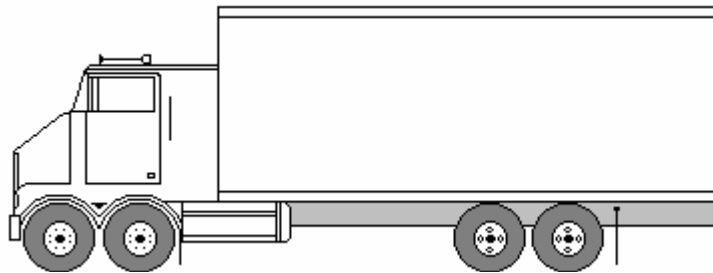
DIMENSION	LIMIT
Interaxle Spacings	
Single Axle to Single or Tandem Axle	Minimum 3.0 m
Tandem Steering Axle to Tandem Axle	Minimum 3.65 m

Category 5: Straight Truck
Part 2 - Weight Limits



Max 8000 kg*

Single - Max 9100 kg
 Tandem - Max 18 000 kg



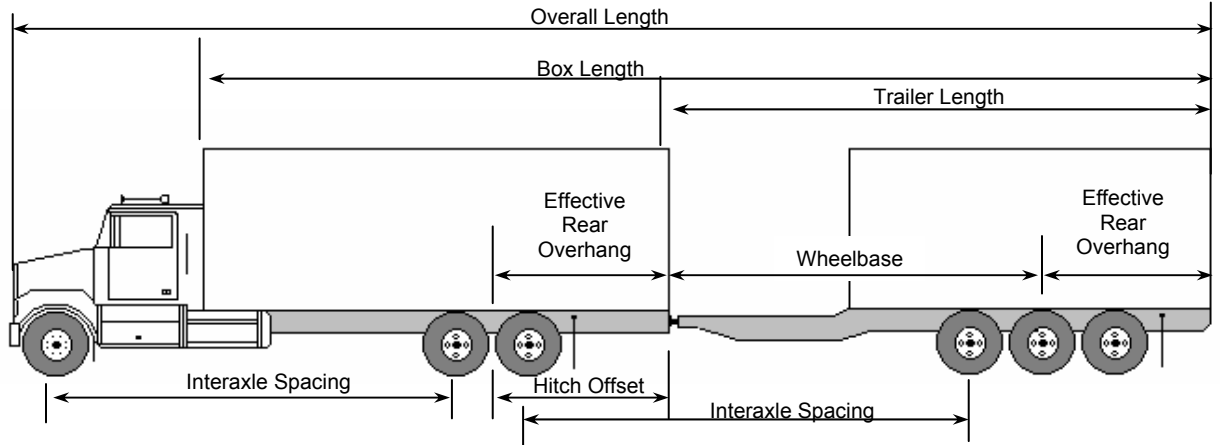
Tandem Steering Axle
 Max 16 000 kg

Tandem Drive Axle
 Max 18 000 kg

WEIGHT	LIMIT
Axle Weights:	
Steering Axle - single axle, single tires	Maximum 8000 kg*
- tandem axle, single tires	Maximum 16 000 kg
Single Axle (dual tires)	Maximum 9100 kg
Tandem Axle:	
Axle Spread 1.2 m to 1.85 m	Maximum 18 000 kg
Gross Vehicle Weight Limits:	
Two Axles	Maximum 17 100 kg
Three Axles	Maximum 26 000 kg
Four Axles	Maximum 34 000 kg

- * The steering axle weight can be as high as 9100 kg provided the load carrying capacity of the axle, tires, and all other components is not exceeded, and the tire loading does not exceed 10 kg per mm of width. However, the Gross Vehicle Weight limit will be based on a steering axle weight of 8000 kg for single steering axle straight trucks.

Category 6: Truck - Pony Trailer Combination
Part 1 - Dimension Limits



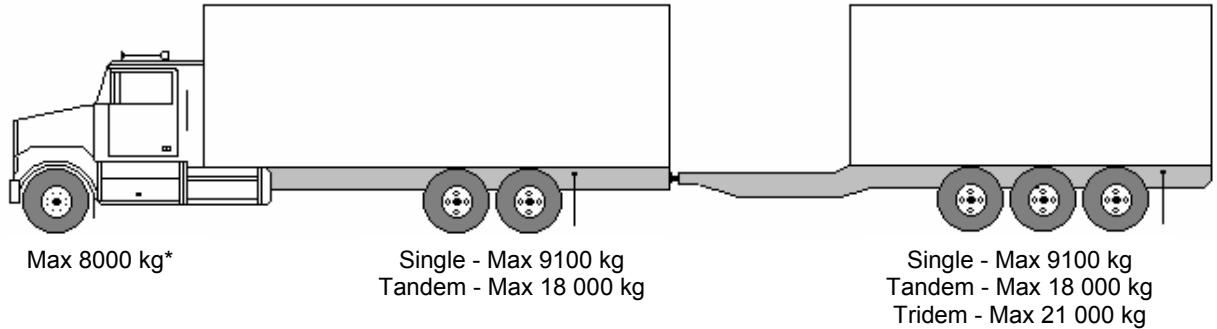
DIMENSION	LIMIT
Overall Length	Maximum 23 m
Overall Width	Maximum 2.6 m
Overall Height	Maximum 4.15 m
Box Length	Maximum 20 m
Truck:	
Length	Maximum 12.5 m
Wheelbase	Not controlled
Tandem Axle Spread	Minimum 1.2 m/Maximum 1.85 m
Effective Rear Overhang	Maximum 4.0 m
Hitch Offset	Maximum 1.8 m
Pony Trailer*	
Length	Maximum 12.5 m
Wheelbase	Minimum 6.25 m
Tandem Axle Spread	Minimum 1.2 m/Maximum 1.85 m
Tridem Axle Spread	Minimum 2.4 m/Maximum 2.5 m
Track Width	Minimum 2.5 m/Maximum 2.6 m
Effective Rear Overhang	Maximum 4.0 m

Interaxle Spacings

DIMENSION	LIMIT
Single Axle to Single, Tandem or Tridem Axle	Minimum 3.0 m
Tandem Axle to Tandem Axle	Minimum 5.0 m
Tandem Axle to Tridem Axle	Minimum 5.5 m

* Dimension limits not applicable to pony trailers with Gross Vehicle Weight Rating of less than 10 000 kg.

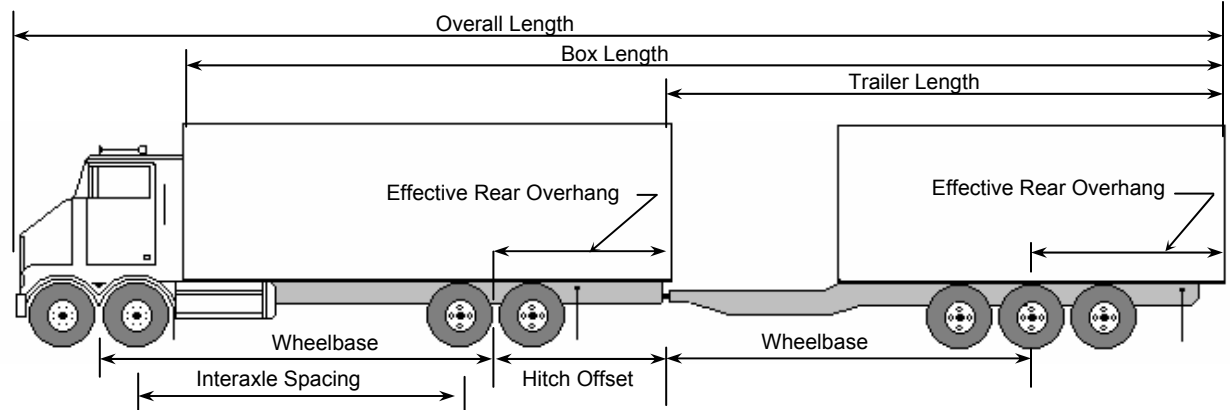
Category 6: Truck - Pony Trailer Combination
Part 2 - Weight Limits



WEIGHTS	LIMITS
Axle Weight Limits:	
Steering Axle	Maximum 8000 kg*
Single Axle (dual tires)	Maximum 9100 kg
Tandem Axle:	
Axle Spread 1.2 m to 1.85 m	Maximum 18 000 kg
Tridem Axle:	
Axle Spread 2.4 m - 2.5 m	Maximum 21 000 kg
Gross Vehicle Weight Limits:	
Three Axles	Maximum 26 200 kg
Four Axles	Maximum 35 100 kg
Five Axles	Maximum 44 000 kg
Six Axles	Maximum 47 000 kg

* The steering axle weight can be as high as 9100 kg provided the load carrying capacity of the axle, tires, and all other components is not exceeded, and the tire loading does not exceed 10 kg per mm of width. However, the Gross Vehicle Weight limit will be based on a steering axle weight of 8000 kg.

Category 7: Tandem Steering Axle Truck - Pony Trailer Combination
Part 1 - Dimension Limits

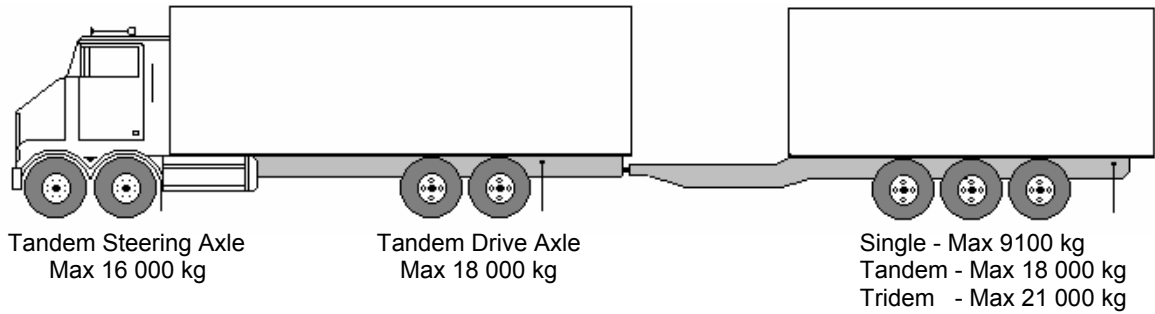


DIMENSION	LIMIT
Overall Length	Maximum 23 m
Overall Width	Maximum 2.6 m
Overall Height	Maximum 4.15 m
Box Length	Maximum 20 m
Truck:	
Length	Maximum 12.5 m
Wheelbase	Not controlled
Tandem Steering Axle Spread	Minimum 1.2 m/Maximum 1.85 m
Tandem Drive Axle Spread	Minimum 1.2 m/Maximum 1.85 m
Effective Rear Overhang	Maximum 4.0 m
Hitch Offset	Maximum 1.8 m
Pony Trailer*	
Length	Maximum 12.5 m
Wheelbase	Minimum 6.25 m
Tandem Axle Spread	Minimum 1.2 m/Maximum 1.85 m
Tridem Axle Spread	Minimum 2.4 m/Maximum 2.5 m
Track Width	Minimum 2.5 m/Maximum 2.6 m
Effective Rear Overhang	Maximum 4.0 m

DIMENSION	LIMIT
Interaxle Spacings	
Tandem Steering Axle to Tandem Drive Axle	Minimum 3.65 m
Single Axle to Single, Tandem or Tridem Axle	Minimum 3.0 m
Tandem Axle to Tandem Axle	Minimum 5.0 m
Tandem Axle to Tridem Axle	Minimum 5.5 m

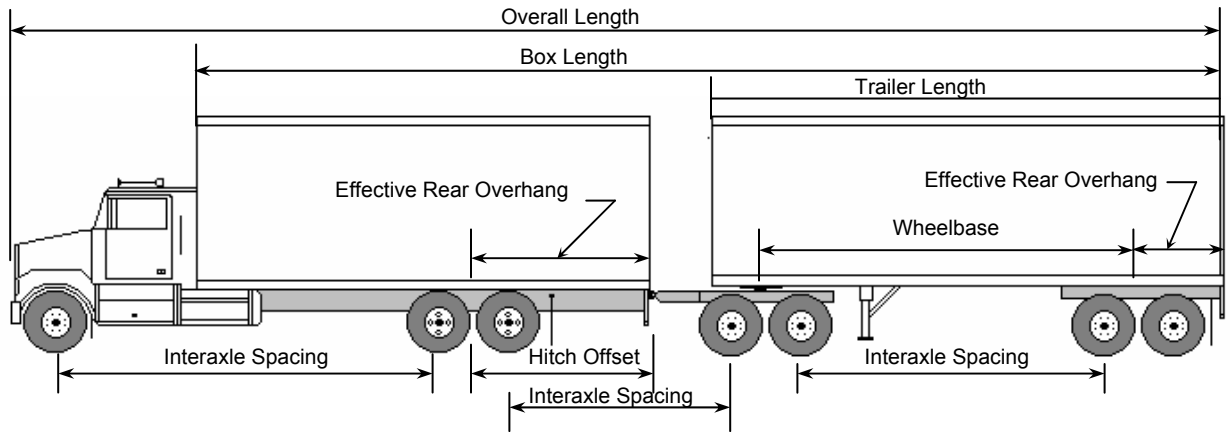
* Limits not applicable to pony trailers with Gross Vehicle Weight Rating of less than 10 000 kg.

Category 7: Tandem Steering Axle Truck - Pony Trailer Combination
Part 2 - Weight Limits



WEIGHTS	LIMITS
Axle Weight Limits:	
Truck:	
Tandem Steering Axle: Spread 1.2 m to 1.85 m	Maximum 16 000 kg
Tandem Drive Axle: Spread 1.2 m to 1.85 m	Maximum 18 000 kg
Trailer:	
Single Axle (dual tires)	Maximum 9100 kg
Tandem Axle: Spread 1.2 m to 1.85 m	Maximum 18 000 kg
Tridem Axle: Spread 2.4 m - 2.5 m	Maximum 21 000 kg
Gross Vehicle Weight Limits:	
Five Axles	Maximum 43 100 kg
Six Axles	Maximum 50 000 kg
Seven Axles	Maximum 53 500 kg

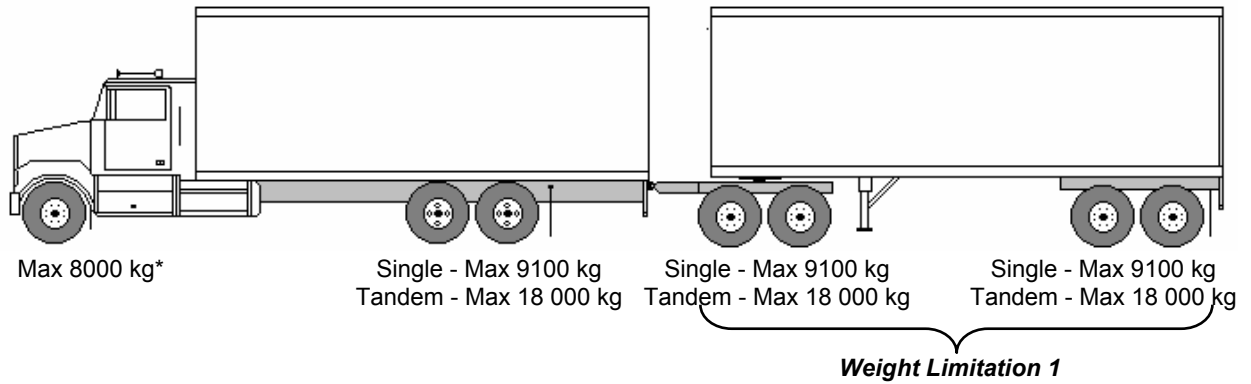
Category 8: Truck - Full Trailer Combination
Part 1 - Dimension Limits



DIMENSION	LIMIT
Overall Length	Maximum 23 m
Overall Width	Maximum 2.6 m
Overall Height	Maximum 4.15 m
Box Length	Maximum 20 m
Truck:	
Length	Maximum 12.5 m
Wheelbase	Not controlled
Tandem Axle Spread	Minimum 1.2 m/Maximum 1.85 m
Effective Rear Overhang	Maximum 4.0 m
Hitch Offset	Maximum 1.8 m
Full Trailer	
Length	Maximum 12.5 m
Wheelbase	Minimum 6.25 m
Tandem Axle Spread	Minimum 1.2 m/Maximum 1.85 m
Track Width	Minimum 2.5 m/Maximum 2.6 m
Effective Rear Overhang	Maximum 35% of wheelbase
Converter Dolly	The use of a double drawbar or C Dolly is not permitted on this combination

DIMENSION	LIMIT
Interaxle Spacings	
Single Axle to Single or Tandem Axle	Minimum 3.0 m
Tandem Axle to Tandem Axle	Minimum 5.0 m

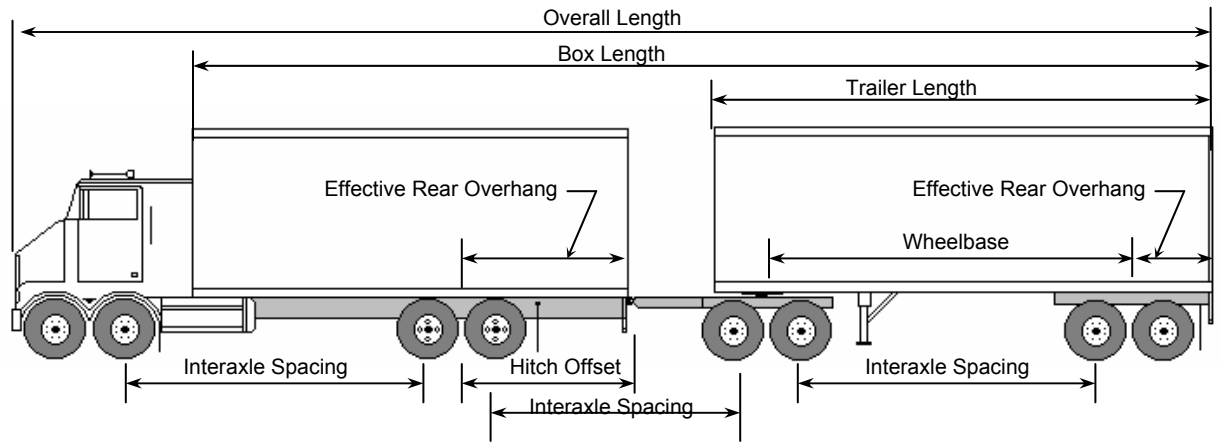
Category 8: Truck - Full Trailer Combination
Part 2 - Weight Limits



WEIGHT	LIMIT
Axle Weight Limits:	
Steering Axle	Maximum 8000 kg*
Single Axle (dual tires)	Maximum 9100 kg
Tandem Axle:	
Axle Spread 1.2 m to 1.85 m	Maximum 18 000 kg
Weight Limitation 1:	
Sum of Axle Weights of Full Trailer	
4 Axle Truck-Trailer Combination	Maximum 17 000 kg
5 Axle Truck-Trailer Combination	Maximum 17 000 kg
6 Axle Truck-Trailer Combination	Maximum 24 000 kg
7 Axle Truck-Trailer Combination	Maximum 31 000 kg
Gross Vehicle Weight Limits:	
Four Axles	Maximum 34 100 kg
Five Axles	Maximum 43 000 kg
Six Axles	Maximum 50 000 kg
Seven Axles	Maximum 53 500 kg

* The steering axle weight can be as high as 9100 kg provided the load carrying capacity of the axle, tires, and all other components is not exceeded, and the tire loading does not exceed 10 kg per mm of width. However, the Gross Vehicle Weight limit will be based on a steering axle weight of 8000 kg.

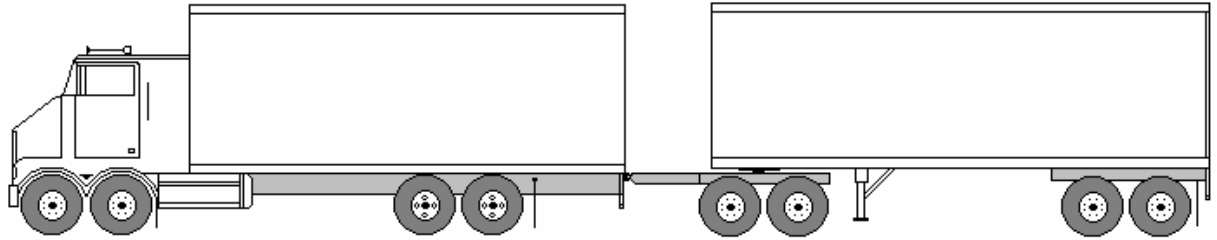
Category 9: Tandem Steering Axle Truck - Full Trailer Combination
Part 1 - Dimension Limits



DIMENSION	LIMIT
Overall Length	Maximum 23 m
Overall Width	Maximum 2.6 m
Overall Height	Maximum 4.15 m
Box Length	Maximum 20 m
Truck:	
Length	Maximum 12.5 m
Wheelbase	Not controlled
Tandem Steering Axle Spread	Minimum 1.2 m/Maximum 1.85 m
Tandem Drive Axle Spread	Minimum 1.2 m/Maximum 1.85 m
Effective Rear Overhang	Maximum 4.0 m
Hitch Offset	Maximum 1.8 m
Full Trailer	
Length	Maximum 12.5 m
Wheelbase	Minimum 6.25 m
Tandem Axle Spread	Minimum 1.2 m/Maximum 1.85 m
Track Width	Minimum 2.5 m/Maximum 2.6 m
Effective Rear Overhang	Maximum 35% of wheelbase
Converter Dolly	The use of a double drawbar or C Dolly is not permitted on this combination

DIMENSION	LIMIT
Interaxle Spacings	
Tandem Steering Axle to Tandem Drive Axle	Minimum 3.65 m
Single Axle to Single or Tandem Axle	Minimum 3.0 m
Tandem Axle to Tandem Axle	Minimum 5.0 m

Category 9: Tandem Steering Axle Truck - Full Trailer Combination
Part 2 - Weight Limits



Tandem Steering Axle
 Max 16 000 kg

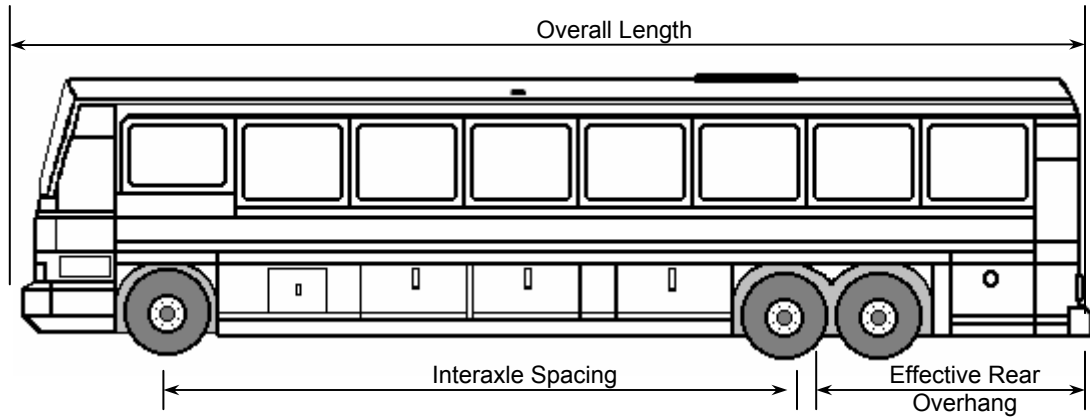
Tandem Drive Axle
 Max 18 000 kg

Single - Max 9100 kg
 Tandem - Max 18 000 kg

Single - Max 9100 kg
 Tandem - Max 18 000 kg

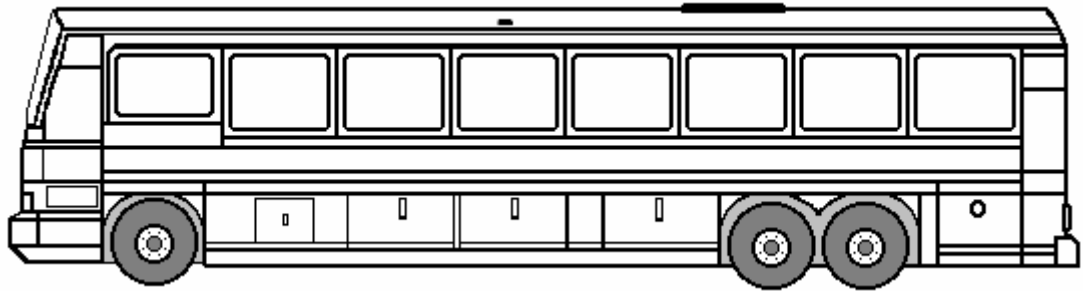
WEIGHT	LIMIT
Axle Weight Limits:	
Tandem Steering Axle	Maximum 16 000 kg
Single Axle (dual tires)	Maximum 9100 kg
Tandem Axle:	
Axle Spread 1.2 m to 1.85 m	Maximum 18 000 kg
Gross Vehicle Weight Limits:	
Six Axles	Maximum 51 000 kg
Seven Axles	Maximum 53 500 kg
Eight Axles	Maximum 53 500 kg

Category 10: Intercity Bus
Part 1 - Dimension Limits



DIMENSION	LIMIT
Overall Length	Maximum 14.0 m
Overall Width	Maximum 2.6 m
Overall Height	Maximum 4.15 m
Wheelbase	Not controlled
Tandem Axle Spread	Minimum 1.2 m/Maximum 1.85 m
Effective Rear Overhang	Maximum 4.0 m
Axle Requirements:	
Overall length 12.5 m or less	Not controlled
Overall length greater than 12.5 m	Minimum 3 axles

Category 10: Intercity Bus
Part 2 - Weight Limits



Max 7250 kg*

Single Axle (single tires) - Max 6000 kg
 Single Axle (dual tires) - Max 9100 kg
 Tandem Axle - Max 18 000 kg

WEIGHT	LIMIT
Axle Weights:	
Steering Axle	Maximum 7250 kg
Single Axle (dual tires)	Maximum 9100 kg
Single Axle (single tires)	Maximum 6000 kg
Tandem Axle (dual tires on both axles)	Maximum 18 000 kg
Gross Vehicle Weight Limits:	
Two axles (4 tires)	Maximum 13 250 kg
Two Axles (6 tires)	Maximum 16 350 kg
Three axles (8 tires)	Maximum 20 900 kg
Three axles (10 tires)	Maximum 25 250 kg

Notes:

¹ The steering axle weight can be as high as 9100 kg provided the load carrying capacity of the axle, tires, and all other components is not exceeded, and the tire loading does not exceed 10 kg per mm of width. However, the Gross Vehicle Weight limit will be based on a steering axle weight of 7250 kg.

² When there is more than one axle at the rear of the bus, the load carried by the group must be distributed between axles in a ratio corresponding to the number of tires on each axle.